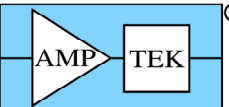


Unless Specified Otherwise:		 AMPTEK, INC. 14 De Angelo Drive Bedford, MA 01730 Tel: 781-275-2242 Fax: 781-275-3470	Material:	
Reference Separate Parts List as Required			Title	
Dimensions are in inches		XRF Experimenter's Kit		
Break all sharp edges Remove all Burrs				
-Tolerances-				
Fractions	± 1/32	Drawn	Date	
Decimals XX	± .01	fhillhouse	4/10/2014	
Decimals XXX	± .005	Engineer:	Date	
Angles	± 1/2°	fhillhouse	8/15/2014	
Surface Finish	63	Status:	Release Date:	
DO NOT SCALE PRINT		Released	8/15/2014	
		Scale:		Rev.
		Sheet No.		
		1 of 2		

4

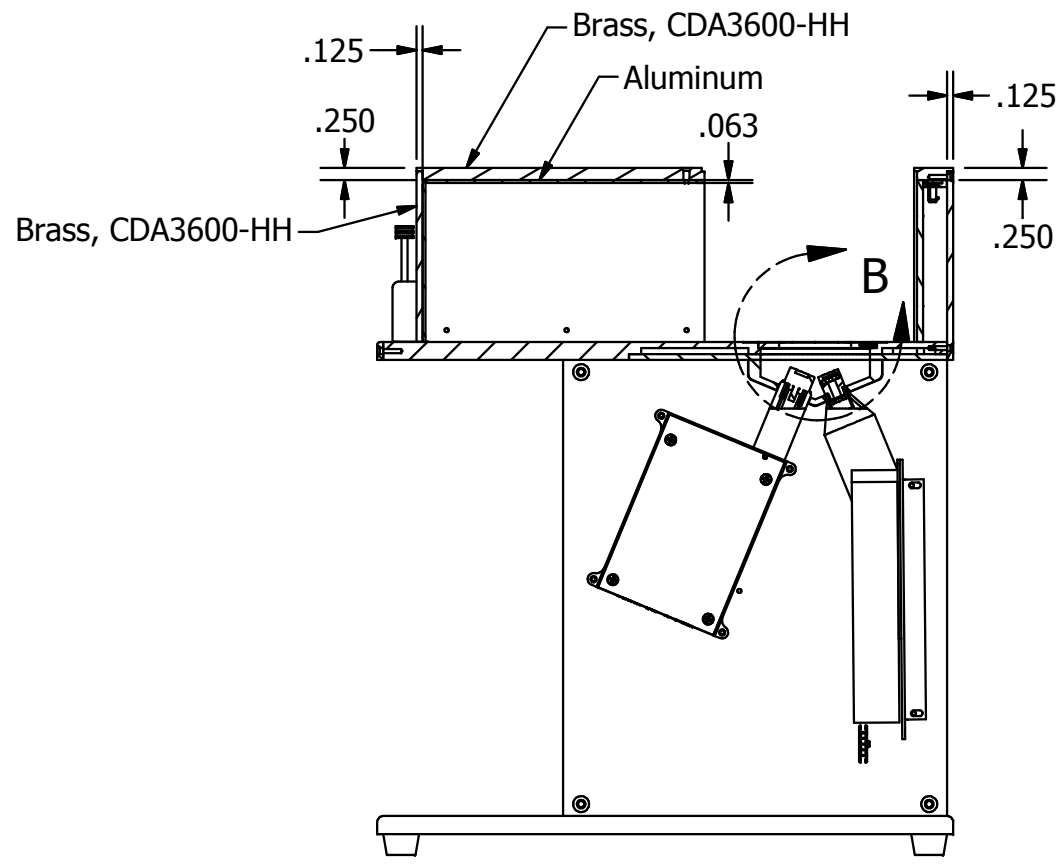
3

2

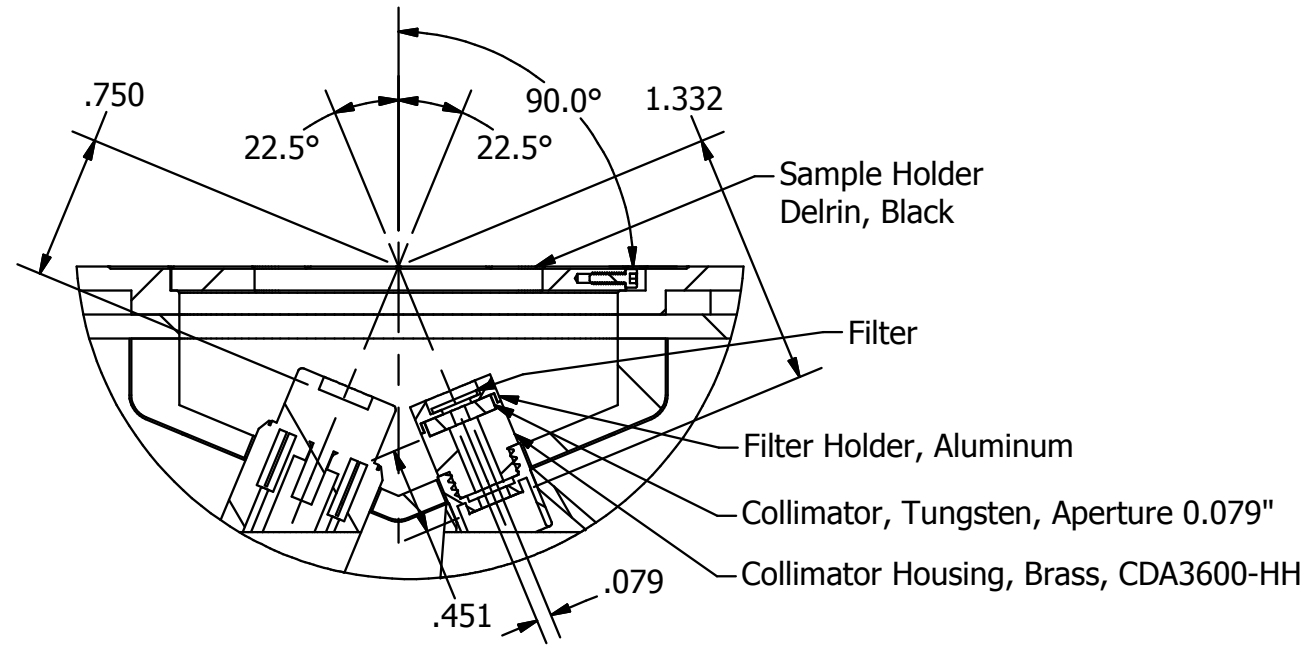
1

B

B



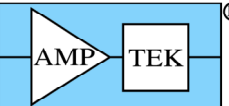
SECTION A-A
SCALE 1 / 4



DETAIL B
SCALE 1 : 1

A

A

Unless Specified Otherwise: Reference Separate Parts List as Required Dimensions are in inches Break all sharp edges Remove all Burrs -Tolerances- Fractions ± 1/32 Decimals XX ± .01 Decimals XXX ± .005 Angles ± 1/2° Surface Finish DO NOT SCALE PRINT		 AMPTEK, INC. 14 De Angelo Drive Bedford, MA 01730 Tel: 781-275-2242 Fax: 781-275-3470	Material:	
Drawn: fhillhouse Date: 4/10/2014 Engineer: fhillhouse Date: 8/15/2014 Status: Released Release Date: 8/15/2014			Title XRF Experimenter's Kit	
		B	Amptek PN: Assembly-Full	Rev.
		Scale:	Sheet No. 2 of 2	

4

3

2

1

A